

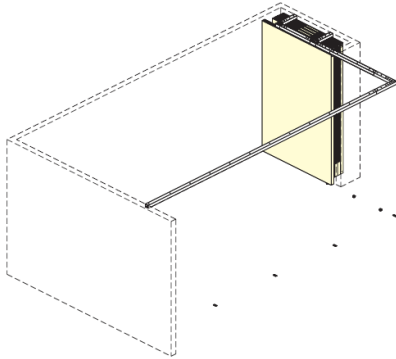
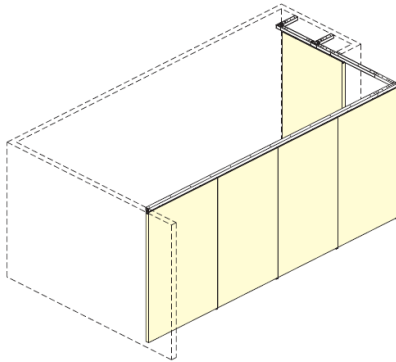
GFDP40L New Stackable Partition Door System Digest

	Parallel Stacking	Perpendicular Stacking
Door Width	Stackable Panel: 700 ~ 1000 mm	Swing Door: Max. 900 mm Stackable Panel: 700 ~ 900 mm
Door Height	Max. 2500 mm	
Door Thickness	34 ~ 40 mm	
Door Weight	Max. 40 kg/Panel	
Door	3 ~ 6 Doors	

Features

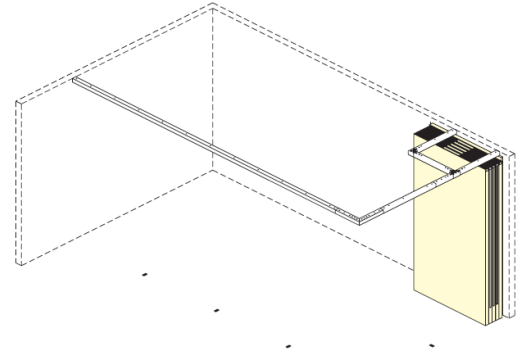
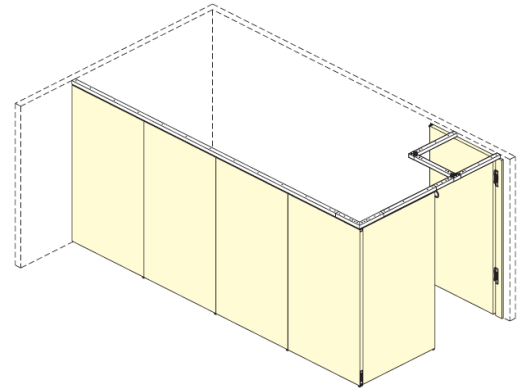
- The corner parts and the new type of rail make it possible to create an L-shaped partition of space
- Smooth movement with **Quad Core Roller**
- Panels are stackable in minimal space

Parallel Stacking Type GFDP40LP



[1] GFDP40LP Corner + Parallel Stacking

Perpendicular Stacking Type GFDP40LV



[2] GFDP40LV Corner + Perpendicular Stacking

